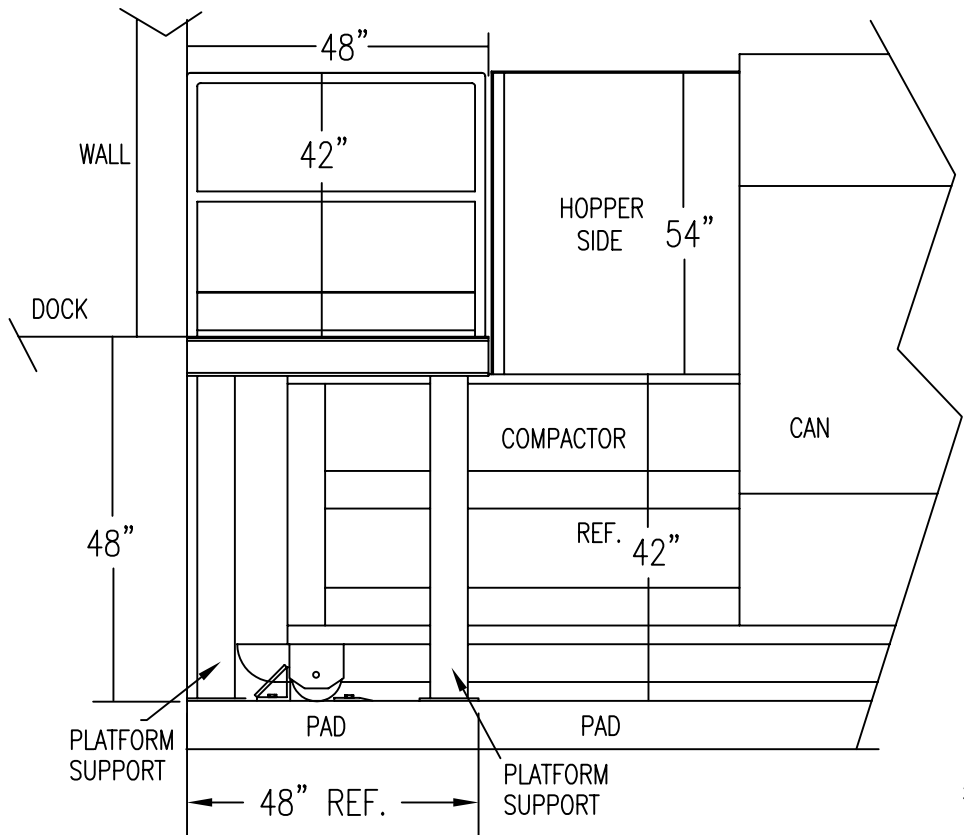
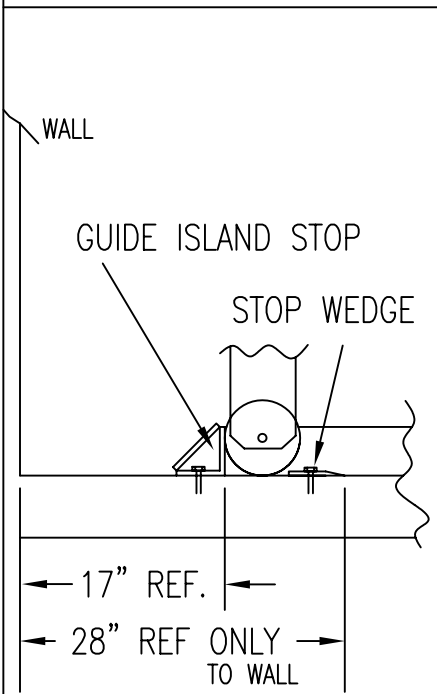
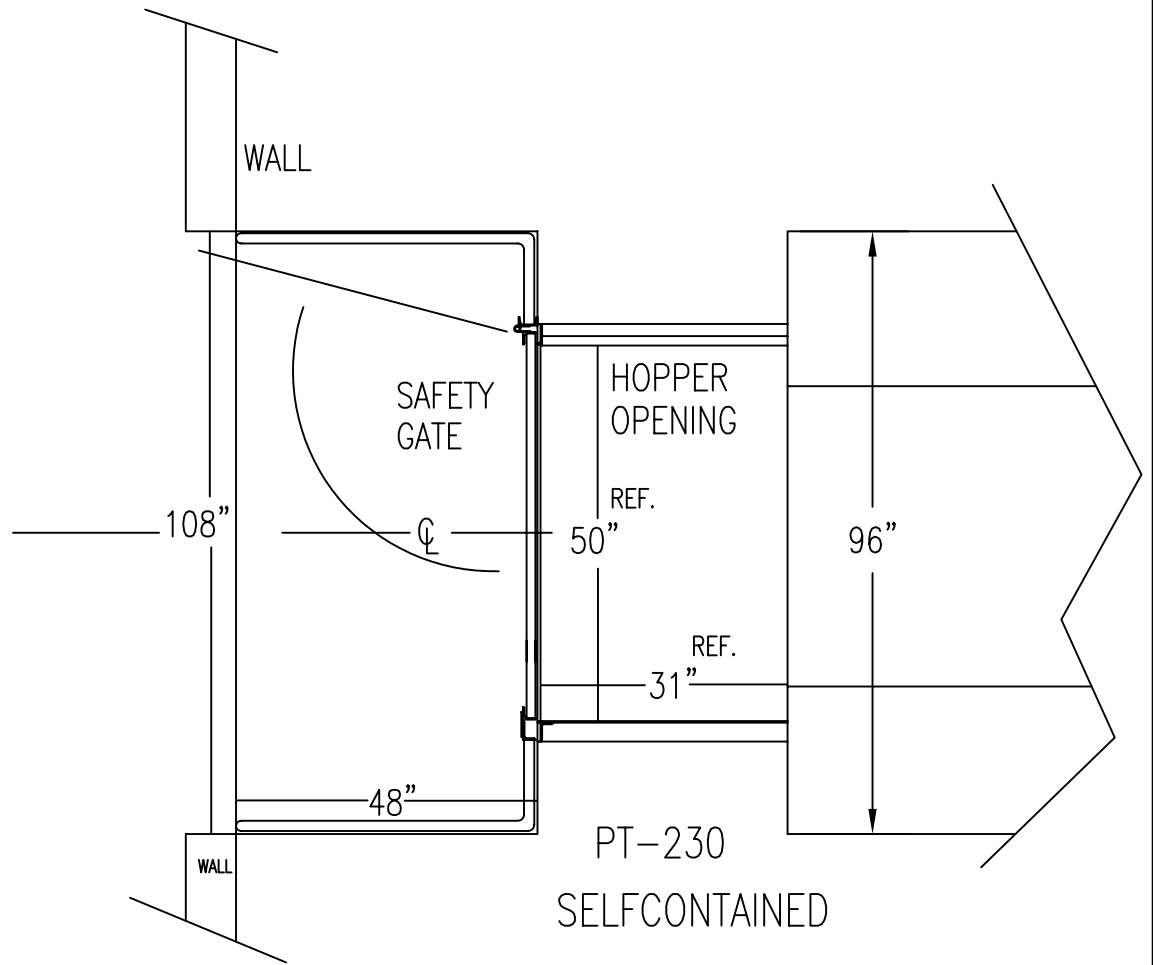
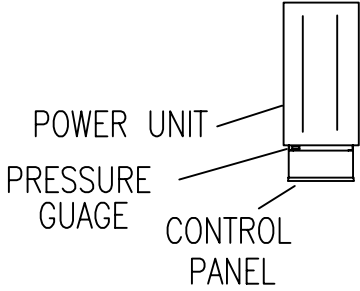


PTR BALER & COMPACTOR



2/7/01